

PMTV-6D6BA

40' HD Combo Production & KU Uplink

Production Equipment:

- 1x Grass Valley Kalypto HD 4ME Switcher
- 60 Inputs - 4 Keyers per ME
- 48 Outputs - Still Store Animation
- DBL Take - 6 Transform Engines
- 3x Leitch Centrio 96-Input Multiviewer
- * 24-Unit Marshall LCD Monitor Wall w/ IMD
- 1x Image Video TSI-1000 Tally System w/ UMDs

Graphics

- 1x Chyron HyperX3 HD/SD
- 2 Channel System w/ EFX
- Clip Player & Lyric PRO

Cameras:

- 6x Sony HDC-1500 Multi-Format Cameras
- 4x Sony HDTV-C750W 6" Color HD Viewfinders
- 4x Sony HAFX Fiber to Triax Adapters
- 4x Sony HDTX Triax to Fiber Adapters
- 4x Vinten 70/700 Tripods
- 2x Sachtler 25/30 Tripods
- * Wired for up to 8 CCUs

Lenses**:

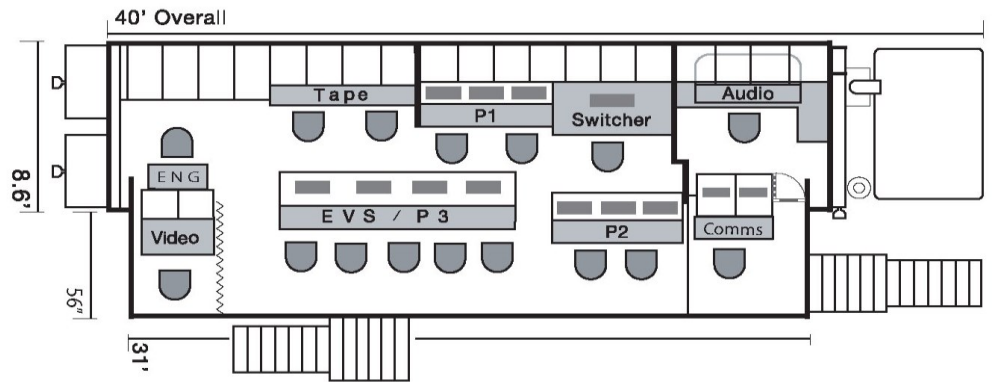
- 4x Fujinon HD Long Lens
- **Note: additional lenses available upon request

Recording & Playback:

- 2x EVS XT 6 Channel HD/SD System
- Wired for 3 EVS
- 2x Sony HDW-1800 1080i HDCAM VTRs
- 1x Sony DVW-M2000 DigiBeta VTR
- 2x DNF ST-300 Controllers
- 1x Fast Forward Video Dual SDI DDRs
- 1x Lance TDC-100 Controller
- 1x DVD Recorder
- (Wired for up to 6 VTRs)

Audio:

- 1x Calrec Omega Bluefin Digital Console
- 52x Dual Layer Faders - 64x AES In/Out
- 64x Mic/Line Inputs - 32x Line Outputs
- 2x Digicart II w/ Remote
- 1x HHB CD/RW w/ Word Clock
- 1x DK Digital Audio Scope (5.1 Surround)
- 20x Wohler Audio Monitors
- 5x Sennheiser Sportscaster Headsets
- 3x Studio Technologies Talkback Boxes
- 2x Daltech Talkback Boxes
- 1x Leitch Integrator 64x64 Audio Router
- 1x Leitch Integrator 96x96 Coax AES Router
- 1x Genelec 5.1 Monitor System w/ Subwoofer
- 1x Dolby DP571 Dolby-E Encoder
- 1x Dolby DP572 Dolby-E Decoder
- 3x Long Shotgun Mics (P)
- 3x Short Shotgun Mics (P)
- 2x Sony ECM-77B Lavaliers
- 3x Electro-Voice RE-50 Hand Mics



Communications Equipment:

- 1x RTS Cronus 96x96 Digital Matrix
- 12 Powered PL Channels / SAP 1626
- 8 IFB Channels (Wet/Dry)
- 4x TIF Telco Interface
- 10x RTS KP-632 Key Panels
- 8x RTS KP-12 Key Panels
- 1x RTS KP-98-7 Key Panel
- 10x RTS BP-325 Belt Packs w/ Headsets
- 1x Toshiba PBX Phone System
- 1x Kenwood Walkie Base Station
- 8x Kenwood Handheld Radios
- 2x Telos 1+1 Telephone Hybrids

Engineering

1x Leitch Platinum 256x256 Router
- 112x96 Digital HD/SD Matrix
- 8x8 Analog Matrix
- 24 Router Control Panels (RCPs)
16x Leitch X50 Frame Synchronizers
6x Leitch NEO Up/Down/Cross Converters
14x Leitch FR-6802+ Frames
- Conversion, Distribution, & Fiber I/O
3x Videotek TVM-900 HD/SDI Scopes
2x Evertz MSc 5600 Test Generators
2x Videotek VTM On-Screen Monitors w/ Remotes
2x FOR-A DCC 70 HD/SD Color Converters

Truck Physical Specs:**

* 2-Tier Seating for 9 People
2x 5-Ton AC Units (Gas Bypass)
* Length: 40'
* Height: 13' 6"
* Width: 8' 6" (Not Expanded)
* Expandable Section, Curbside: 31'x5'
* NY Plate No: 46734-JZ

Power Requirements:*

2x 240V, 200A Single Phase Shore Power or
1x 208V, 200A Three Phase Shore Power
1x 150' Cam-Lock Cable w/ Pigtailed

RF Transmitting System:

* Sat-Lite "Peloris" 1.8 Meter KU Antenna
- Integrated "Saddle Bag" Amplifier Platform
- 4 Port Non-Restricted Feed
- 360° Rotating Mount
2x MCL MT-3400 400W TWTA Amplifiers
2x Tandberg E5788 HD/SD Encoders**
2x Tandberg RX1290 HD/SD Receiver-IRDs
2x Miteq KU-Band Upconverters
1x Avcom Digital Spectrum Monitor

****Travels With a B-Unit Support Truck:**

* Length: 31'
* Height: 12' 8"
* Width: 8' 2"
* 208V, 60A Single Phase Shore Power
* Cantilever Lift Gate
- Depth: 6'
- Width: 8' 2"
- 3,300lbs Lift Capacity
* Truck Length w/ Gate Extended: 37'
* NY Plate No: 46539-KA